

UNIVERSAL

NO-FROST REFRIGERATOR FREEZER - FRIDGE

Instruction Booklet

RÉFRIGÉRATEUR A FROID VENTILE Réfrigérateur - Congélateur

Guide d'utilisation

FRIGORIFERO NO-FROST Congelatore - Frigo

Istruzioni per l'uso

Index

BEFORE USING THE APPLIANCE	2
Special Instructions	2
Recommendations	3
Installation and Switching On The Appliance	4
Before Switching On	4
THE VARIOUS FUNCTION AND POSSIBILITIES	5
Thermostat Setting	5
ACCESSORIES	6
Ice tray	6
ARRANGING FOOD IN THE APPLIANCE	6
Refrigerator Compartment	6
Freezer Compartment	7
CLEANING AND MAINTENANCE	8
Defrosting	8
Replacing The Light Bulb	9
TRANSPORTATION AND CHANGING OF	9
INSTALLATION POSITION	9
Changing of Door Opening Direction	9
BEFORE CALLING YOUR AFTER SALES SERVICE	10
THE PARTS OF THE APPLIANCE AND THE COMPARTMENTS	11

PART- 1. BEFORE USING THE APPLIANCE

Special Instructions

- If the model contains R600a-see name plate under refrigerant (the coolant isobutane), natural gas that, is very environmentally friendly but also combustible. When transporting and installing the unit care must be taken to ensure that none of the refrigeration circuit components become damaged. In the event of damage avoid naked flames or ignition sources and ventilate the room in which the unit is placed for a few minutes.

Warning: *Keep ventilation openings in appliance enclosure or in structure for building in, clear of obstruction.*

- Do not use mechanical devices or other artificial means to accelerate the defrosting process.
- Do not use electrical appliances in the refrigerator or freezer compartment of the appliance.
- If this appliance is to replace an old refrigerator with a lock; break or remove the lock as a safety measure before storing it, to protect children while playing might lock themselves inside.
- Old refrigerators and freezers contain insulation gases and refrigerant, which must be disposed of properly. Entrust the disposal of a scrap unit categorically to competence of your local waste disposal service and contact your local authority or your dealer if you have any questions. Please ensure that the pipe of work of your refrigerating unit does not get damaged prior to being picked-up by the relevant waste disposal service.

Important note:

Please read this booklet before installing and switching on this appliance. The manufacturer assumes no responsibility for incorrect installation and usage as described in this booklet.

Conformity Information

- Tropical Class is defined for the environment temperatures between 16°C and 43°C in accordance with the TS EN ISO 15502 Standards.
- The appliance is designed in compliance with the EN15502, IEC60335-1 / IEC60335-2-24, 2004/108/EC standards.

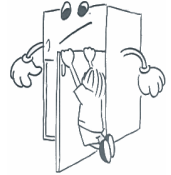


Please ask your municipal authority about the disposal of the WEEE for the reuse, recycle and recovery purposes.

Recommendations

Warning: Do not use mechanical devices or other means to accelerate the defrosting process, other than those recommended by the manufacturer. Do not use electrical appliances inside the food storage compartments of the appliance, unless they are of the type recommended by the manufacturer. Keep ventilation openings, in the appliance enclosure or in the built-in structure, clear of obstruction. Do not damage the refrigerant circuit.

- Do not use adapters or shunts which could cause overheating or burning.
- Do not plug old, warped power supply cables.
- Do not twist and bend the cables.

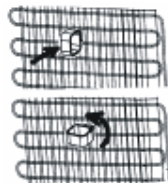


- Do not allow children to play with the appliance. Children must NEVER sit on drawers/shelves or hang from the door.
- Do not plug the power supply with wet hands.
- Do not place containers (glass bottles or tin containers) of liquids into the freezer especially gassy liquids as they could cause the container to burst during freezing.
- Bottles, which contain a high percentage of alcohol must be sealed well and placed vertically in the refrigerator.
- Do not touch the cooling surfaces, especially with wet hands as you could be burnt or hurt.
- Do not eat ice, which have just been removed from the freezer.
- If the supply cord is damaged it must be replaced by the manufacturer or service agent or appointed qualified person.
- The appliance is not intended for use by people (including children) with reduced physical, sensory or mental capabilities, or lack of experience and knowledge, unless they have been given supervision or instruction concerning use of the appliance by a person responsible for their safety. Children should be supervised to ensure that they don't play with the appliance.
- If the supply cord is damaged it must be replaced by the manufacturer or service agent or similiary qualified people in order to avoid a hazard.



Installation and Switching On The Appliance

- This appliance is connecting to 220-240V and 50 Hz.
- You can offer help from the service to install and switching on the appliance.
- Before making the connection to the power supply, ensure that the voltage on the nameplate corresponds to the voltage of electrical system in your home.
- If the socket does not match the refrigerator plug, replace the plug with a suitable one (at least 16 A)
- Insert the plug into a socket with an efficient ground connection. If the socket has no ground contact, we suggest you call an electrician for assistance.
- **Manufacturer is not responsible for failure to complete the ground connection as described in this booklet.**
- Do not place the appliance in direct sunlight.
- Do not use in open air and shall not be exposed to the rain.
- Place the refrigerator far from heat sources and in a well-ventilated position. The refrigerator should be at least 50 cm from radiators, gas or coal stoves and 5 cm far from electrical stoves.
- Keep the top free for at least 15 cm.
- Do not place heavy and lots of things on the appliance.
- If the appliance is installed next to another refrigerator or freezer, observe a minimum distance of 2 cm to prevent condensation.
- The appliance must be stand firmly and level on the floor Use the two front levelling-feet to compensate for an even floor.
- In order to have air circulation under the appliance, the space under the appliance must be open. Don't close it with carpet, etc.
- The outside of the appliance and the accessories inside should be cleaned with a solution of water and liquid soap; the inside of the appliance with sodium bicarbonate dissolved in lukewarm water. After drying replace all the accessories.



Before Switching On

- Wait after 3 hours before plugging the appliance in to the main power to ensure proper performance.
- There can be an odour when you first switch on the appliance. It will disappear after the appliance starts to cool.



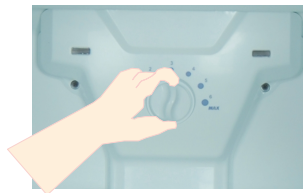
PART-2. THE VARIOUS FUNCTION AND POSSIBILITIES

Thermostat Setting

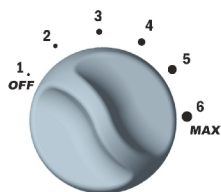
FREEZER THERMOSTAT



REFRIGERATOR THERMOSTAT



Freezer and refrigerator thermostat automatically regulates the inside temperature of the compartments. By rotating the freezer thermostat knob from position 1 to 4 and refrigerator thermostat knob from OFF to MAX, colder temperatures can be obtained. In cold seasons, you can set lower positions in order to decrease the energy consumption.



Note that; freezer and refrigerator temperatures affect each other. For example; when the refrigerator thermostat is at maximum, for obtaining lower temperatures in refrigerator compartment, set the freezer thermostat to a higher value. When the freezer thermostat is at its maximum, for obtaining lower temperatures in freezer compartment, set the refrigerator thermostat to a lower value.

CLIMATE	WINTER	SPRING / AUTUMN	SUMMER
Ambient temperature	$10^{\circ}\text{C} < T_{\text{amb}} < 16^{\circ}\text{C}$	$16^{\circ}\text{C} < T_{\text{amb}} < 25^{\circ}\text{C}$	$25^{\circ}\text{C} < T_{\text{amb}} < 43^{\circ}\text{C}$
Cooler Thermostat	Set to appropriate position between 1 and 2.	Set to appropriate position between 2 and 3.	Set to appropriate position between 3 and 6.
Freezer Thermostat	Positions 2.5 and 3 would be enough according to your refrigerator model.	Positions 2.5 and 3 would be enough according to your refrigerator model.	Positions 2.5 and 3 would be enough according to your refrigerator model.
	If your refrigerator is in an extremely cold place with an ambient temperature of 10°C , and if you think the cooler compartment is cold with cooler thermostat set to minimum, you can set freezer thermostat to lower positions.		With ambient temperatures over 38°C , if your cooler compartment is not cool enough as you want, you can set freezer thermostat to higher positions.
Remarks	Default positions values of your refrigerator are 2.5-3 for freezer compartment thermostat, and 3 for cooler compartment thermostat.		
	We advise you not to change your freezer thermostat positions except above mentioned conditions. Your cooler thermostat can be set according to the ambient temperature as mentioned above.		
	The values mentioned in the table are recommended thermostat positions. These values can change according to usage conditions.		

Note that; *the ambient temperature, temperature of the freshly stored food and how often the door is opened, affects the temperature in the refrigerator and freezer compartment. If required, change the temperature setting.*

- In order to prevent sweating and accumulation of bacteria inside the refrigerator compartment, it is recommended not to set the refrigerator thermostat to OFF position even there is no storage of food inside.
 - When you first switch on the appliance, for starting a suitable cooling, the appliance should work 24 hours continuously until it cools down to sufficient temperature.
 - In this time do not open the door so often and do not place a lot of food inside the appliance.
 - If the unit is switched off or unplugged, you must allow at least 5 minutes before restarting or re-plugging the unit in order not to damage the compressor.
-
- It is suggested to freeze fresh foods at the upper shelf and far from the thermostat.

PART- 3. ACCESSORIES

Ice tray

- Fill the ice tray with water and place in freezer compartment.
- After the water completely turned into ice, you can twist the tray as shown below to get the ice cube.



PART- 4. ARRANGING FOOD IN THE APPLIANCE

Refrigerator Compartment

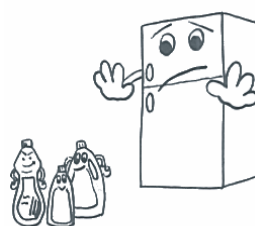
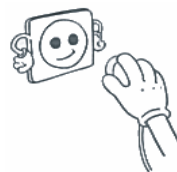
- To set the refrigerator compartment to 2-3 graphic bar will be enough for normal conditions.
- To reduce humidity and consequent increase of frost never place liquids in unsealed containers in the refrigerator.
- Never place warm food in the refrigerator. Warm food should be allowed to cool at room temperature and should be arranged to ensure adequate air circulation in the refrigerator compartment.
- Arrange the meat and cleaned fish (wrapped in packages or sheets of plastic) which you will use in 1-2 days.
- You can put the fruits and vegetables into crisper without packing.

Freezer Compartment

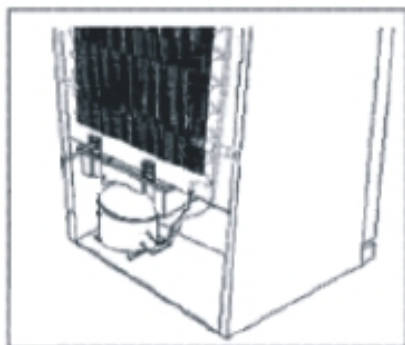
- To set the freezer compartment to 2-3 graphic bar will be enough for normal conditions.
- The use of freezer is, storing of deep-frozen or frozen foods for long periods of time and making ice cubes.
- Do not put fresh and warm foods to the freezer door shelves to be frozen. Only use for storage of frozen foods.
- Do not put fresh and warm food with frozen food side by side as it can thaw the frozen food.
- Use the fast freezing shelf to freeze home cooking (and the foods which is wanted to freeze) more quickly because of the freezing room's greater freezing power.
- While freezing fresh foods (i.e. meat, fish and mincemeat) divide them in parts you will use in one time.
- While freezing fresh foods ; Maximum amount of fresh food (in kg) that can be frozen in 24 hours is indicated on the appliance label.
- It is suggested to freeze fresh foods at the upper shelf and far from the thermostat.
- **For storing the frozen foods**; the instructions shown on frozen food packages should always be followed carefully and if no information is provided food should not be stored for more than 3 months from the purchased date.
- **When buying frozen foods** ensure that these have been frozen at suitable temperatures and that the packing is intact.
- Frozen foods should be transported in appropriate containers to maintain the quality of the food and should be returned to the freezing surfaces of the unit in the shortest possible time.
- If a package of frozen food shows the sign of humidity and abnormal swelling it is probable that it has been previously stored at an unsuitable temperature and that the contents have deteriorated.
- **The storage life of frozen foods** depends on the room temperature, thermostat setting, how often the door is opened, the type of food and the length of time required to transport the product from the shop to your home. Always follow the instructions printed on the package and never exceed the maximum storage life indicated.

PART- 5. CLEANING AND MAINTENANCE

- Disconnect unit from the power supply before cleaning.
- Do not clean the appliance by pouring water.
- The refrigerator and freezer compartment should be cleaned periodically using a solution of bicarbonate of soda and lukewarm water
- Clean the accessories separately with soap and water. Do not clean them in the washing machine.
- Do not use abrasive products, detergents or soaps. After washing, rinse with clean water and dry carefully. When the cleaning operations have been completed reconnect the plug of the unit with dry hands.
- You should clean the condenser with broom at least once a year in order to provide energy saving and increase the productivity.



THE POWER SUPPLY MUST BE DISCONNECTED.

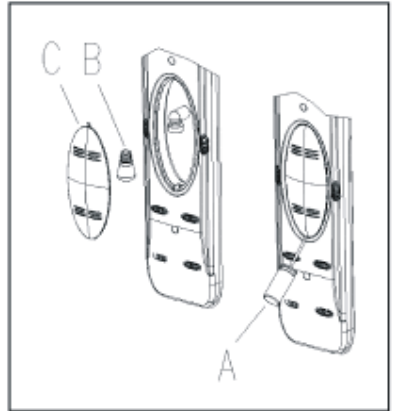


Defrosting

- Defrosting occurs fully automatically during operation; the defrost water is collected by the evaporating tray and evaporates automatically.

Replacing The Light Bulb

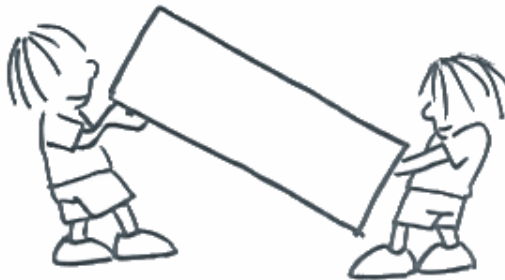
1. Unplug the unit from the power supply,
2. Remove the refrigerator light cover with a minus screw driver, and take out the cover. (A)
3. Change the present light bulb with a new one of not more than 15 W. (B)
4. Replace the light cover (C) and after waiting 5 minutes plug the unit.



PART- 6. TRANSPORTATION AND CHANGING OF INSTALLATION POSITION

Transportation and Changing of Installation Position

- The original packages and foamed polystyrene (PS) can be concealed if required.
- In transportation the appliance should be tied with a wide stripe or a strong rope. The rules written on the corrugated box must be applied while transporting.
- Before transporting or changing old installation position, all the moving objects (i.e., shelves, crisper...) should be taken out or fixed with bands in order to prevent the shake.



Changing of Door Opening Direction (For some models)

In case you need to change door-opening direction, please consult the domestic after sales service.

PART-7. BEFORE CALLING YOUR AFTER SALES SERVICE

If your refrigerator is not working properly, it may be a minor problem, therefore check the following, before calling an electrician to save time and money.

What to do if your refrigerator does not operate;

Check that;

- There is no power ,
- The general switch in your home is disconnected ,
- The thermostat setting is on «1 / OFF» position ,
- The socket is not sufficient. To check this, plug in another appliance that you know which is working into the same socket.

What to do if your refrigerator performs poorly;

Check that;

- You have not overloaded the appliance ,
- The doors are closed perfectly ,
- There is no dust on the condenser ,
- There is enough place at the rear and side walls.

If there is noise;

The cooling gas which circulates in the refrigerator circuit may make a slight noise (bubbling sound) even when the compressor is not running. Do not worry this is quite normal. If these sounds are different check that;

- The appliance is well levelled
- Nothing is touching the rear.
- The stuffs on the appliance are vibrating.

If your fridge is not cooling enough;

Your fridge is designed to operate in the ambient temperature intervals stated in the standards, according to the climate class stated in the information label. We do not recommend operating your fridge out of stated temperatures value limits in terms of cooling effectiveness.

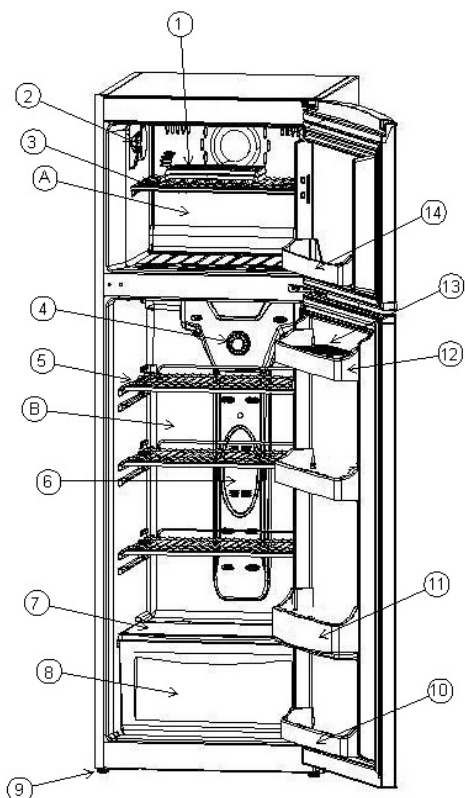
Climate Class	Ambient Temperature (°C)
T	Between 16 and 43 (°C)
ST	Between 16 and 38 (°C)
N	Between 16 and 32 (°C)
SN	Between 10 and 32 (°C)

Recommendations

- If the appliance is not used for long time (for example during the summer holidays) unplug and clean the refrigerator leaving the door open to prevent the formation of mildew and smell.
- To stop the appliance completely, unplug from main socket (for cleaning and when the doors are left open)

PART- 8.

THE PARTS OF THE APPLIANCE AND THE COMPARTMENTS



A) FREEZER COMPARTMENT

B) REFRIGERATOR COMPARTMENT

- 1) ICE TRAY
- 2) FREEZER THERMOSTAT BOX
- 3) FREEZER SHELF
- 4) REFRIGERATOR THERMOSTAT BOX
- 5) REFRIGERATOR SHELVES
- 6) REFRIGERATOR LAMP BOX/COVER
- 7) CRISPER COVER
- 8) CRISPER
- 9) LEVELING FEET
- 10) BOTTOM SHELF
- 11) BOTTLE SHELF
- 12) TOP SHELF
- 13) EGG HOLDER
- 14) FREEZER DOOR SHELF

This presentation is only for information about the parts of the appliance.
Parts may vary according to the appliance model.

Sommaire

AVANT D'UTILISER CET APPAREIL	13
Instructions De Sécurité	13
Recommandations :	14
Montage et mise en marche de l'appareil	15
Avant de brancher l'appareil	15
FONCTIONS DIVERSES	16
Réglage du thermostat	16
<i>le bac à glaçons;</i>	<i>17</i>
RANGEMENT DES ALIMENTS	17
Compartiment réfrigérateur	17
Compartiment congélateur	17
NETTOYAGE ET ENTRETIEN	18
Dégivrage	19
Remplacement de l'ampoule	19
TRANSPORT ET DEPLACEMENT	19
Changement du sens d'ouverture de la porte	19
AVANT D'APPELER LE SERVICE APRES-VENTE	20
ELEMENTS ET COMPARTIMENTS DE L'APPAREIL	21

SECTION 1. AVANT D'UTILISER CET APPAREIL

Instructions De Sécurité

- Le gaz réfrigérant R600a qui est contenu dans le réfrigérateur est un gaz naturel et non nuisible à l'environnement, mais combustible. Il est donc important de transporter et installer votre réfrigérateur avec soin afin de ne pas endommager les conduits réfrigérants. Dans le cas d'un choc ou fuite de gaz, éviter tout contact avec une flamme ou un foyer à proximité et ventiler le local.
- Il est recommandé de ne pas utiliser des objets métalliques pointus ou autres objets artificiels pour accélérer la décongélation.
- Ne pas utiliser d'appareils électriques à l'intérieur de réfrigérateur.
- Si cet appareil sert à remplacer un vieux réfrigérateur, retirez-le ou détruisez les fermetures avant de vous débarrasser de l'appareil. Ceci permet d'éviter aux enfants de s'enfermer dans l'appareil et de mettre ainsi leur vie en danger.
- Les réfrigérateurs et congélateurs hors d'usage renferment des gaz calorifuges et réfrigérants qui doivent être évacués correctement. Veillez à ce que l'ancien réfrigérateur soit mis au rebut correctement. Veuillez contacter les autorités locales de votre région pour obtenir des renseignements concernant la mise au rebut et les endroits possibles.. Parfois le revendeur reprend l'ancien réfrigérateur. Assurez-vous que les tubes frigorifiques ne sont pas endommagés anant la mise à la décharge.

Remarque importante:



Important ! Avant de mettre votre appareil en route, veuillez lire attentivement ce guide d'installation et d'utilisation afin de vous familiariser plus rapidement avec son fonctionnement. Conservez cette notice d'utilisation avec votre appareil.

A la réception de l'appareil, vérifiez qu'il ne soit pas endommagé et que les pièces et accessoires soient en parfait état.

N'utilisez pas un appareil endommagé. En cas de doute, vérifiez auprès de votre vendeur.

Informations relatives à la conformité

Ce produit est conforme aux normes européennes de sécurité en vigueur relatives aux appareils électriques.



Pour obtenir de plus amples détails au sujet du traitement, de la récupération et du recyclage de cet appareil, veuillez vous adresser au bureau compétent de votre commune, à la société de collecte des déchets ou directement à votre revendeur.

Recommandations :

Avertissement : N'utilisez pas d'appareils mécaniques ou d'autres moyens artificiels pour accélérer le processus de décongélation. N'utilisez pas d'appareils électriques dans l'espace de stockage des aliments de l'appareil. N'obstruez pas les ouvertures de ventilation de l'appareil. N'endommagez pas le circuit de liquide réfrigérant du réfrigérateur.

- Ne pas utiliser des adaptateurs ou joints qui pourraient provoquer le surchauffage ou l'incendie .
- Ne pas brancher sur la fiche des cables abimés et courbés .
- Ne tordez pas et ne pliez pas les câbles.



- Ne pas permettre aux enfants de jouer avec l'appareil . Les empêcher de s'asseoir sur les rayons ou de se suspendre à la porte .
- Pour racler le givre formé dans la partie congélante, ne pas utiliser des objets métalliques tranchants qui pourraient abîmer le corps du congélateur et créer des dommages irréversibles . Pour faire cela, utiliser un grattoir en plastique.
- Ne pas insérer la fiche dans la prise avec la main mouillée .
- Afin d'éviter le danger d'explosion des bouteilles ou boîtes métalliques qui contiennent des liquides gazeux, ne pas les placer dans la partie congélation.
- Les bouteilles contenant de l'alcool en grande quantité doivent être soigneusement rebouchées et placées perpendiculairement dans l'appareil .
- Ne pas toucher la surface réfrigérante avec la main mouillée, afin d'éviter le risque d'être brûlé ou blessé.
- Ne pas manger le givre sortie de la partie congélante .
- Cet appareil n'est pas prévu pour être utilisé par des personnes (y compris les enfants) dont les capacités physiques, sensorielles ou mentales sont réduites, ou des personnes dénuées d'expérience ou de connaissance, sauf si elles ont pu bénéficier, par l'intermédiaire d'une personne responsable leur sécurité, d'une surveillance ou d'instructions préalables concernant l'utilisation de l'appareil.
- Si le cordon d'alimentation est endommagé, il doit être remplacé par le fabricant ou par un agent de maintenance ou une personne dûment qualifiée.

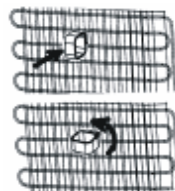


Montage et mise en marche de l'appareil



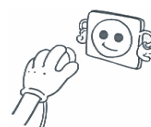
Avertissement ! Cet appareil doit être branché à une borne de mise à la terre. Lors de l'installation de l'appareil, veillez à ce que le câble d'alimentation ne soit pas coincé dessous, dans quel cas ce dernier serait endommagé.

- Cet appareil est conçu pour fonctionner avec le courant secteur de 220-240 V et 50 Hz.
- Vous pouvez demander au service agréé le montage et la mise en marche de l'appareil gratuitement.
- Avant de le mettre sous tension, vérifier que le voltage de votre maison soit identique à celui figurant sur l'étiquette de l'appareil.
- Dans le cas où la prise ne convient pas à la fiche du réfrigérateur, la remplacer par une autre qui convienne (minimum 16 A) .
- Prévoir une prise ménagère pour la fiche . A défaut de celle-ci, il est recommandé d'appeler un électricien.
- Le producteur n'est pas responsable de la réparation d'une panne existant déjà dans la ligne de terre .
- Ne pas exposer l'appareil directement aux rayons du soleil.
- Votre réfrigérateur ne devrait pas s'utiliser à l'air ouvert et être exposé à la pluie.
- Le réfrigérateur doit être installé à l'écart de toutes sources de chaleur ; prévoir un endroit permettant une ventilation d'air suffisante et une distance de 50 cm quand il s'agit des radiateurs, poêles à gaz et à charbon, de 2 cm au minimum quand il s'agit des poêles électriques.
- Dans le cas où le réfrigérateur est installé près d'un autre réfrigérateur ou d'un congélateur, prévoir une distance d'au moins 2 cm pour éviter la condensation.
- Ne rien poser de lourd sur l'appareil.
- Installez votre réfrigérateur à la façon de laisser un espace de 15 centimètres au dessus.
- L'appareil doit être fixé soigneusement sur une surface plane. Sur des surfaces inclinées, utiliser les deux pieds avant afin de balancer l'équilibre.
- Nettoyer les accessoires extérieures et intérieurs à l'eau tiède additionnée d'une petite cuillère de bicarbonate. Remettre en place les accessoires après les avoir essuyés soigneusement.



Avant de brancher l'appareil

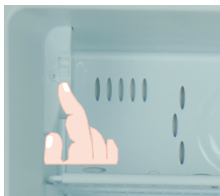
- Attendez 3 heures avant de brancher l'appareil, afin de garantir des performances optimales.
- Votre appareil neuf peut avoir une odeur particulière. Celle-ci disparaîtra une fois qu'il commencera à se refroidir.



SECTION 2. FONCTIONS DIVERSES

Réglage du thermostat

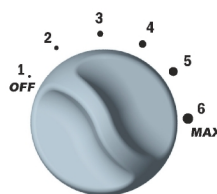
THERMOSTAT DU CONGELATEUR



THERMOSTAT DU RÉFRIGÉRATEUR



Les thermostats du congélateur et du réfrigérateur régulent automatiquement la température interne des compartiments. En tournant le bouton du thermostat du congélateur de la position 1 à 4 et le bouton du thermostat du réfrigérateur de la position OFF à MAX, vous obtiendrez des températures plus froides. Lors des saisons froides, vous pouvez régler le thermostat sur des positions plus faibles afin d'économiser de l'énergie.



Remarque : les températures du congélateur et du réfrigérateur influent l'une sur l'autre. Par exemple, si le thermostat du réfrigérateur est au maximum, augmentez le thermostat du congélateur afin que le compartiment réfrigérateur soit plus froid.

Commande de la température du congélateur et du réfrigérateur :

SAISON	HIVER	PRINTEMPS/AUTOMNE	ÉTÉ
Température ambiante	$10^{\circ}\text{C} < T_{\text{amb}} < 16^{\circ}\text{C}$	$16^{\circ}\text{C} < T_{\text{amb}} < 25^{\circ}\text{C}$	$25^{\circ}\text{C} < T_{\text{amb}} < 43^{\circ}\text{C}$
Thermostat de refroidissement	Placez sur la position correcte entre 1 et 2.	Placez sur la position correcte entre 2 et 3.	Placez sur la position correcte entre 3 et 6.
Thermostat de congélation	Les positions 2.5 et 3 seront suffisantes selon le modèle du réfrigérateur.	Les positions 2.5 et 3 seront suffisantes selon le modèle du réfrigérateur.	Les positions 2.5 et 3 seront suffisantes selon le modèle du réfrigérateur.
	Si votre réfrigérateur est situé dans un local très froid avec une température ambiante de 10°C , et si le compartiment de refroidissement est froid avec le thermostat de refroidissement au minimum, vous pouvez régler le thermostat de congélation au minimum.		
Remarques	Les valeurs par défaut de votre réfrigérateur sont 2,5-3 pour le thermostat du compartiment de congélation, et 3 pour le thermostat du compartiment de refroidissement.		
	Il est recommandé de ne pas changer les positions du thermostat de congélation sauf dans les conditions visées ci-dessus. Le thermostat de refroidissement peut être réglé selon la température ambiante comme décrit ci-dessus.		
	DLes valeurs indiquées dans le tableau sont les positions recommandées du thermostat. Ces valeurs peuvent varier selon les conditions d'utilisation.		

le bac à glaçons; (Dans certains modèles)

Remplir le bac à glaçons au $\frac{3}{4}$ d'eau ; le replacer dans le congélateur.



SECTION 3. RANGEMENT DES ALIMENTS

Compartiment réfrigérateur

- Régler le compartiment réfrigérateur au niveau de la barre graphique 2-3 sera suffisant pour les conditions normales.
- Pour réduire l'humidité et l'accumulation consécutive de grive, ne jamais placer des liquides dans des récipients non fermés à l'intérieur du réfrigérateur.
- Ne jamais placer des aliments chauds dans le réfrigérateur. Laissez-les refroidir à la température ambiante et placez-les dans le réfrigérateur de manière à permettre une circulation d'air convenable.
- Placez-y la viande et le poisson nettoyé (emballé dans des paquets ou dans des feuilles de plastique) qui seront consommés dans les deux jours.
- Les fruits et les légumes peuvent être placés directement dans le bac à légumes, sans être emballés.

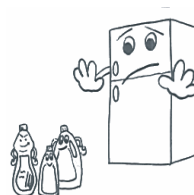
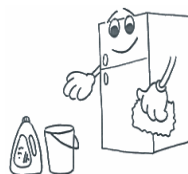
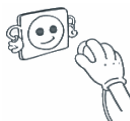
Compartiment congélateur

- Régler le compartiment congélateur au niveau de la barre graphique 2-3 sera suffisant pour les conditions normales.
- Le congélateur est utilisé pour la conservation à long terme des aliments surgelés ou congelés, et pour fabriquer des glaçons.
- Ne placez pas des aliments frais et chauds sur les étagères de la porte du congélateur afin de les congeler. Ne l'utilisez que pour la conservation des aliments congelés.
- Ne pas placer d'aliments frais ou chauds près des aliments congelés. Ils pourraient les décongeler.
- Utilisez l'étagère de congélation rapide pour congeler les aliments préparés à la maison (et les aliments à congeler) plus rapidement en raison de la plus grande capacité de la salle de congélation.
- Lorsque vous congelez des aliments frais (viande, poisson et préparations), divisez-les en portions utilisables en une fois.
- Lorsque vous congelez les aliments frais, la quantité maximale d'aliment frais (en kg) qui peut être congelée en 24 heures est indiquée sur l'étiquette de l'appareil.

- **Pour stocker les aliments congelés** ; suivez toujours les instructions indiquées sur les emballages des aliments congelés et si aucune information n'est fournie, ne conservez pas les aliments plus de 3 mois après la date d'achat.
- **Lorsque vous achetez des aliments surgelés**, vérifiez qu'ils ont été congelés à des températures adéquates et que l'emballage est intact.
- Les aliments congelés doivent être transportés dans des emballages appropriés pour maintenir la qualité de la nourriture et doivent être replacés au congélateur le plus tôt possible.
- Si l'emballage d'un aliment congelé semble être humide et anormalement gonflé, il est probable qu'il a été stocké auparavant à une température non adéquate et que le contenu en a été altéré.
- **La durée de conservation des aliments congelés** dépend de la température ambiante, du réglage du thermostat, de la fréquence d'ouverture de la porte, du type d'aliment et de la durée de transport du magasin jusqu'à la maison. Respecter toujours les instructions d'utilisation figurant sur le conditionnement et ne dépassez jamais la durée de stockage indiquée.

SECTION 4. NETTOYAGE ET ENTRETIEN

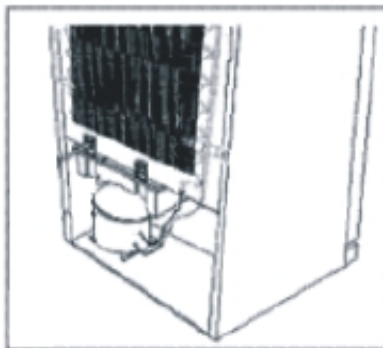
- *Avant le nettoyage, débrancher l'appareil.*
- Ne pas le nettoyer en déversant de l'eau.
- Nettoyer la partie de réfrigération, à distance périodique, de l'eau tiède additionnée de bicarbonate de soude
- Nettoyer les accessoires séparément à l'eau et au savon. Ne pas les laver dans la machine à laver.
- Ne pas utiliser des produits solvants comme détergents et savon. Les essuyer après lavage. Après avoir terminé le lavage tout entier, insérer la fiche dans la prise à la main sèche.
- Pour l'économie d'énergie et l'utilisation rentable de l'appareil, nettoyer le condensateur deux fois par an, à l'aide d'un balai électrique.



Veillez à ce que l'eau n'entre pas en contact avec les connexions électriques de la commande de température ou l'éclairage intérieur. Inspectez le joint de porte de temps en temps.

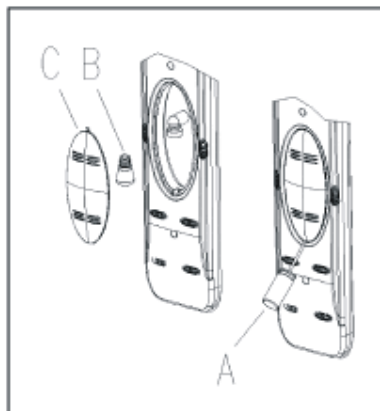
Dégivrage

- Le dégivrage s'effectue automatiquement lorsque l'appareil est en fonctionnement. L'eau de dégivrage est recueillie dans le bac d'évaporation et s'évapore automatiquement.



Remplacement de l'ampoule

1. Débranchez l'appareil.
2. Dévissez le couvercle de l'ampoule à l'aide d'un petit tournevis et retirez-le.(A)
3. Remplacez l'ampoule par une nouvelle ampoule d'une puissance maximale de 15 W.(B)
4. Replacez le capot de la lampe et attendez 5 minutes avant de rebrancher l'appareil.(C)



SECTION 5. TRANSPORT ET DEPLACEMENT

Transport et déplacement de l'appareil

- Vous pouvez conserver le carton et le polystyrène d'emballage.
- Si vous devez transporter l'appareil, attachez-le avec un tissu large ou une corde solide. Les consignes écrites sur le carton ondulé doivent être appliquées lors du transport.
- Avant de transporter ou de déplacer l'appareil, tous les accessoires (clayettes, bac à légumes, etc.) doivent être enlevés ou fixés avec de l'adhésif pour éviter qu'ils ne bougent.



Changement du sens d'ouverture de la porte (Dans certains modèles)

Si vous devez modifier le sens d'ouverture de la porte, consultez le service après-vente.

SECTION 6. AVANT D'APPELER LE SERVICE APRES-VENTE

Le problème à l'origine d'un dysfonctionnement de votre réfrigérateur peut être mineur. Pour économiser du temps et de l'argent, procédez aux vérifications ci-dessous avant d'appeler un technicien.

Votre réfrigérateur ne fonctionne pas

Vérifiez :

- qu'il est branché,
- que l'interrupteur général de votre habitation n'est pas déconnecté,
- que le thermostat n'est pas positionné sur « 1/OFF »,
- que la prise est adaptée. Pour ce faire, branchez un autre appareil sur la même prise.

Votre réfrigérateur ne fonctionne pas de façon optimale

Vérifiez :

- que vous ne l'avez pas surchargé,
- que les portes sont bien fermées,
- que le condensateur n'est pas couvert de poussière,
- que l'espace laissé derrière et sur les côtés de l'appareil est suffisant.

Votre appareil est bruyant :

La gaz de refroidissement qui circule dans le circuit de réfrigération peut parfois émettre un petit bruit même lorsque le compresseur ne fonctionne pas. Ne vous inquiétez pas, cela est tout à fait normal. Si vous entendez un bruit différent, vérifiez :

- que l'appareil est bien droit,
- que rien ne touche l'arrière,
- que le contenu de l'appareil ne vibre pas.

Si votre réfrigérateur ne refroidit pas suffisamment ;

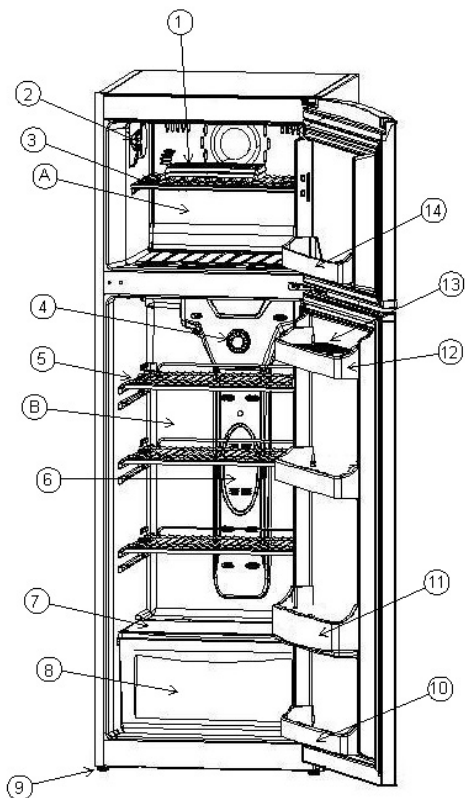
- Votre réfrigérateur a été conçu de manière à fonctionner dans la plage de température ambiante dans les normes conformément à la classe du climat mentionnée dans l'étiquette de l'information. Le fonctionnement de l'appareil dans des environnements ayant des valeurs de température non conformes à celles spécifiées n'est pas recommandé pour une réfrigération efficace.

Classe Climatique	Température ambiante (°C)
T	Entre 16 et 43
ST	Entre 16 et 38
N	Entre 16 et 32
SN	Entre 10 et 32

Recommandations

- Si vous n'utilisez pas l'appareil pendant une longue période (par exemple pendant les vacances d'été) débranchez-le, nettoyez-le et laissez la porte ouverte pour éviter la formation de moisissures et de mauvaises odeurs.
- Pour arrêter complètement l'appareil, débranchez-le de la prise murale (pour le nettoyer ou lorsque vous laissez les portes ouvertes).

SECTION 7. ELEMENTS ET COMPARTIMENTS DE L'APPAREIL



A) COMPARTIMENT CONGELATEUR
B) COMPARTIMENT REFRIGERATEUR

- 1) BAC A GLAÇONS
- 2) BOITIER DU THERMOSTAT DU CONGELATEUR
- 3) ETAGERE DU CONGELATEUR
- 4) THERMOSTAT DU REFRIGERATEUR
- 5) ETAGERES DU REFRIGERATEUR
- 6) BOITIER/COUVERCLE DE L'AMPOULE DU REFRIGERATEUR
- 7) COUVERCLE DU BAC A LEGUMES
- 8) BAC A LEGUMES
- 9) PIEDS A'VERIN
- 10) BAC INFERIEUR
- 11) ETAGERE A BOUTEILLES
- 12) BAC SUPERIEUR
- 13) SUPPORT AOEUFS
- 14) BAC DE LA PORTE DU CONGELATEUR

Cette présentation ne sert que de renseignement sur les parties de l'appareil, Celles-ci pourraient varier en fonction du modèle de l'appareil.

Indice

PRIMA DI UTILIZZARE L'ELETTRODOMESTICO	23
Informazioni di sicurezza	23
Avvertenze	24
Installazione e accensione dell'elettrodomestico	25
Prima dell'accensione	25
CARATTERISTICHE E FUNZIONI	26
Impostazione termostato	26
<i>Contenitore del ghiaccio;</i>	27
CONSERVAZIONE DEL CIBO NELL'ELETTRODOMESTICO	27
Scomparto Frigo	27
Accessori	27
Scomparto Freezer	28
PULIZIA E MANUTENZIONE	29
Sbrinamento	29
Sostituzione della lampadina	30
TRASPORTO E SPOSTAMENTO DELL'ELETTRODOMESTICO	30
Inversione della direzione di apertura della porta	30
PRIMA DI CHIAMARE IL SERVIZIO ASSISTENZA	31
LE PARTI DELL'ELETTRODOMESTICO E	32
GLI SCOMPARTI.....	32

PARTE-1 . PRIMA DI UTILIZZARE L'ELETTRODOMESTICO

Informazioni di sicurezza

- Al momento del trasporto e dell'installazione dell'apparecchio prestare attenzione affinché nessuno dei componenti del circuito refrigerante resti danneggiato.
- Se si possiede un vecchio frigorifero munito di chiusura, rompere o rimuovere questa chiusura prima di smaltire il frigorifero, in quanto i bambini potrebbero rimanervi rinchiusi durante i loro giochi e causare un incidente.
- I vecchi frigoriferi e congelatori contengono materiali isolanti e un gas refrigerante con CFC. Fare quindi attenzione a non danneggiare l'ambiente quando si smaltisce il vecchio frigorifero.

Note importanti:

- Qualora il modello contenga isobutano (R600a) come refrigerante - vedere la targhetta all'interno del frigorifero - prestare attenzione al momento del trasporto e dell'installazione dell'apparecchio affinché nessuno degli elementi del circuito refrigerante dell'apparecchio venga danneggiato.
 - L'isobutano è un gas naturale innocuo per l'ambiente ma è infiammabile. In caso di perdite a seguito di danneggiamento degli elementi del circuito refrigerante, allontanare il frigorifero da fiamme vive o fonti di combustione e aerare per alcuni minuti il locale in cui si trova il frigorifero.
- Leggere attentamente questo libretto delle istruzioni prima di installare e porre in funzione l'apparecchio. La nostra azienda non sarà responsabile dei danni che possano derivare da un utilizzo non corretto.
- Osservare tutte le istruzioni sull'apparecchio e il libretto delle istruzioni che dovrà essere conservato in luogo sicuro per risolvere gli eventuali problemi che sorgeranno in futuro.
- Questo apparecchio è stato progettato per il suo uso esclusivamente domestico e con finalità ben precise. Non è idoneo all'uso commerciale o comune. L'eventuale uso diverso da quello consentito sarà causa di annullamento della garanzia e la nostra azienda non sarà responsabile degli eventuali danni che ne potranno derivare.
- Questo apparecchio è stato progettato per il suo uso esclusivamente domestico ed è idoneo solo al raffreddamento / alla conservazione degli alimenti. Non è idoneo all'uso commerciale o comune e/o alla conservazione di sostanze diverse dagli alimenti. La nostra azienda non sarà responsabile degli eventuali danni che potranno derivare da un uso scorretto dell'apparecchio.



Questo apparecchio dispone di contrassegno ai sensi della direttiva europea 2002/96/CE in materia di apparecchi elettrici ed elettronici (waste electrical and electronic equipment - WEEE).

Questa direttiva definisce le norme per la raccolta e il riciclaggio degli apparecchi dismessi valide su tutto il territorio dell'Unione Europea.

Avvertenze

Attenzione: non usare dispositivi meccanici o altri strumenti artificiali per accelerare il processo di sbrinamento. Non usare dispositivi elettrici nello scomparto di conservazioni cibi del dispositivo. Tenere libere le aperture di ventilazione del dispositivo. Non danneggiare il circuito refrigerante del frigo.

- Non utilizzare adattatori o derivazioni che potrebbero causare surriscaldamento o bruciature.
- Non utilizzare cavi di alimentazione vecchi o piegati.
- Non torcere o piegare i cavi.

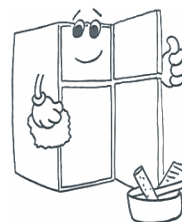


- Non consentire ai bambini di giocare con l'elettrodomestico. I bambini non devono MAI sedersi sui cassetti/ripiani o appendersi alla porta.
- Non inserire la spina nella presa di alimentazione elettrica con le mani bagnate.
- Non posizionare contenitori di liquidi (bottiglie in vetro o lattine) nel freezer, in particolare liquidi gassati che potrebbero provocare l'esplosione del contenitore durante il congelamento.
- Le bottiglie contenenti un'alta percentuale di alcol devono essere sigillate accuratamente e posizionate verticalmente nel frigorifero.
- Non toccare le superfici raffreddanti, specialmente con le mani bagnate, poiché si potrebbero produrre scottature o ferite.
- Non mangiare il ghiaccio appena tolto dal freezer.
- Se il cavo di alimentazione è danneggiato, deve essere sostituito dal produttore, da un tecnico dell'assistenza o da personale qualificato incaricato.
- Questo apparecchio non deve essere usato da persone (inclusi i bambini) con capacità fisiche, sensoriali o mentali ridotte, o che mancano di esperienza e conoscenza, a meno che non abbiano ricevuto una supervisione o istruzioni sull'uso dell'apparecchio da parte di una persona responsabile della loro sicurezza. I bambini devono ricevere supervisione per assicurarsi che non giochino con l'apparecchio.
- Se il cavo di alimentazione viene danneggiato, deve essere sostituito dal produttore o da un tecnico per l'assistenza o una persona addetta.



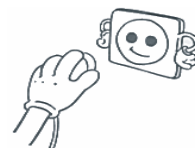
Installazione e accensione dell'elettrodomestico

- Questo elettrodomestico deve essere collegato a un sistema di alimentazione da 220-240V e 50 Hz.
- Prima di effettuare il collegamento con la rete elettrica, assicurarsi che la tensione indicata sulla targhetta corrisponda alla tensione della rete elettrica dell'abitazione.
- Se la spina non è adatta alla presa, sostituirla con una adeguata (almeno 16 A).
- Inserire la spina in una presa dotata di una corretta messa a terra. In mancanza di messa a terra della spina, si consiglia di chiedere l'assistenza di un elettricista.
- Il produttore non è responsabile per il mancato collegamento con la messa a terra, secondo quanto indicato nel presente manuale.
- Non posizionare l'elettrodomestico in pieno sole.
- Non utilizzarlo all'aria aperta e non esporlo alla pioggia.
- Posizionare il frigorifero lontano da fonti di calore e in una posizione ben aerata. Il frigorifero dovrebbe trovarsi ad una distanza di almeno 50 cm da termosifoni, stufe a gas o a carbone e a 5 cm. da stufe elettriche
- Lasciare uno spazio libero di almeno 15 cm sopra il frigorifero.
- Non posizionare oggetti pesanti sul frigorifero.
- Qualora l'elettrodomestico fosse installato vicino ad un altro frigorifero o a un congelatore, mantenere una distanza minima di 2 cm tra gli apparecchi per prevenire la condensa.
- L'elettrodomestico deve poggiare saldamente e in piano sul pavimento. Utilizzare i due piedini frontali regolabili per compensare eventuali irregolarità del pavimento.
- Per favorire la circolazione di aria sotto l'elettrodomestico, lo spazio inferiore deve essere lasciato libero. Non chiuderlo con un tappeto o altro.
- L'esterno dell'elettrodomestico e gli accessori interni devono essere puliti con una soluzione di acqua e sapone liquido; l'interno dell'elettrodomestico con bicarbonato di sodio sciolto in acqua tiepida. Riposizionare tutti gli accessori dopo averli asciugati.



Prima dell'accensione

- Attendere 3 ore prima di collegare l'elettrodomestico alla rete elettrica tramite la spina allo scopo di ottenere un corretto funzionamento.
- Si potrebbe avvertire dell'odore al momento della prima accensione dell'elettrodomestico. Questo odore si dissolverà quando l'apparecchio inizia a raffreddarsi.



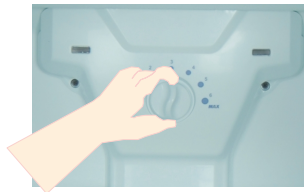
PARTE 2. CARATTERISTICHE E FUNZIONI

Impostazione termostato

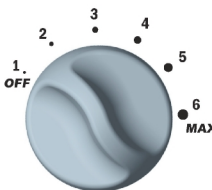
TERMOSTATO FREEZER



TERMOSTATO FRIGORIFERO



Il termostato del freezer e del frigo regola automaticamente la temperatura interna degli scomparti. Ruotando la manopola del freezer dalla posizione 1 alla 4 e quella del frigo da OFF a MAX, si può raggiungere la temperatura più bassa. Nella stagione fredda si possono impostare posizioni più basse per diminuire il consumo energetico.



- Notare che la temperatura di freezer e frigo si influenzano a vicenda. Per esempio, quando il termostato del frigorifero è al massimo, per ottenere temperature più basse nel comparto frigo, impostare il termostato del freezer a livelli più alti.

Controllo della temperatura di freezer e frigo;

CLIMA	INVERNO	PRIMAVERA/AUTUNNO	ESTATE
Temperatura ambiente	$10^{\circ}\text{C} < T_{\text{amb}} < 16^{\circ}\text{C}$	$16^{\circ}\text{C} < T_{\text{amb}} < 25^{\circ}\text{C}$	$25^{\circ}\text{C} < T_{\text{amb}} < 43^{\circ}\text{C}$
Termostato del frigorifero	Impostare la posizione appropriata tra 1 e 2.	Impostare la posizione appropriata tra 2 e 3.	Impostare la posizione appropriata tra 3 e 6.
Termostato del congelatore	Le posizioni 2.5 e 3 sarebbero sufficienti a seconda del modello del frigorifero.	Le posizioni 2.5 e 3 sarebbero sufficienti a seconda del modello del frigorifero.	Le posizioni 2.5 e 3 sarebbero sufficienti a seconda del modello del frigorifero.
	Se il frigorifero è in un posto estremamente freddo con una temperatura ambiente di 10°C e si pensa che il comparto frigorifero è freddo con il termostato impostato al minimo, si può impostare il termostato del freezer a posizioni inferiori.		
NOTE	I valori di posizione predefiniti del frigorifero sono 2,5-3 per il termostato del comparto freezer e 3 per il termostato del comparto frigo.		
	Consigliamo di non cambiare le posizioni del termostato del freezer se non alle condizioni citate in precedenza. Il termostato del frigorifero può essere impostato secondo la temperatura ambiente come detto in precedenza.		
	I valori citati nella tabella sono le posizioni raccomandate del termostato. Questi valori possono cambiare a seconda delle condizioni d'uso.		

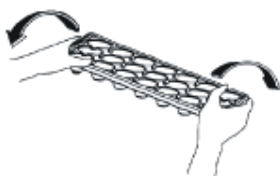
Avvertenza; *la temperatura dello scomparto frigo può essere alterata dalla temperatura ambiente, dalla temperatura del cibo appena inserito e dal numero di volte che lo sportello di frigo e freezer viene aperto. Se necessario, modificare l'impostazione della temperatura.*

- Per impedire la formazione di umidità e l'accumulo di batteri all'interno del comparto frigo si consiglia di non impostare il termostato dello stesso su OFF anche se non ci sono alimenti conservati all'interno.
- Quando l'apparecchio viene acceso per la prima volta, per ottenere un raffreddamento accettabile, deve funzionare per 24 ore di seguito fino a raggiungere la temperatura sufficiente.
- Durante questo periodo non aprire la porta troppo spesso e non riporre troppo cibo nell'elettrodomestico.
- Se l'elettrodomestico viene spento o la spina staccata, attendere almeno 5 minuti prima di riavviarlo o di reinserire la spina in modo da non danneggiare il compressore.

Accessori

Contenitore del ghiaccio;

- Riempire il cassetto del ghiaccio con acqua e metterlo nello scomparto congelatore.
- Dopo che l'acqua si è trasformata completamente in ghiaccio, è possibile far girare il cassetto, come mostrato di seguito, per ottenere i cubetti.



PARTE 3.

CONSERVAZIONE DEL CIBO NELL'ELETTRODOMESTICO

Scomparto Frigo

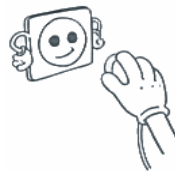
- Impostare lo scomparto frigo a 2-3 sarà sufficiente in condizioni normali.
- Per ridurre l'umidità ed il conseguente aumento di brina non inserire mai nel frigorifero liquidi in contenitori aperti.
- Non inserire mai nel frigorifero cibo caldo. Il cibo ancora caldo deve essere lasciato raffreddare a temperatura ambiente e deve disporre di un'adeguata circolazione d'aria nello scomparto frigo.
- Sistemare la carne e il pesce pulito (chiuso in confezioni o avvolto in fogli di plastica) che saranno consumati in 1-2 giorni.
- La frutta e la verdura possono essere inserite nell'apposito scomparto senza essere impacchettate.

Scomparto Freezer

- Impostare lo scomparto freezer a 2-3 sarà sufficiente in condizioni normali.
- Il freezer viene utilizzato per la conservazione per un lungo periodo di tempo di cibi surgelati o congelati e per la fabbricazione dei cubetti di ghiaccio.
- Non mettere cibi freschi e caldi nel freezer perché si congelino. Usare solo per la conservazione di cibi congelati.
- Non mettere il cibo fresco e caldo a contatto con quello congelato perché questo potrebbe provocare lo scongelamento del cibo congelato.
- Usare il ripiano per il congelamento rapido per congelare alimenti preparati in casa (e quelli che si desidera congelare) in modo più rapido grazie alla maggiore forza di congelamento dello scomparto freezer.
- Quando si desidera congelare del cibo fresco (ad es. carne, pesce e carne tritata), suddividerlo in porzioni da usarsi di volta in volta.
- Quando si congelano cibi freschi; la quantità massima di cibi freschi (in kg) che può essere congelata in 24 ore è indicata sull'etichetta del prodotto.
- **Per la conservazione dei cibi congelati**, è importante seguire le istruzioni stampate sull'imballaggio dei cibi congelati e, in mancanza di tali istruzioni, il cibo non dovrebbe essere conservato per più di 3 mesi dalla data dell'acquisto.
- **Al momento dell'acquisto di cibi congelati**, assicurarsi che questi siano stati congelati a temperature adeguate e che l'involucro sia intatto.
- I cibi congelati devono essere trasportati in contenitori adatti per conservarne la qualità e devono essere riposti nello scomparto freezer del frigorifero il più presto possibile.
- Se l'involucro del cibo congelato mostra segni di umidità o un anomalo rigonfiamento, è probabile che non sia stato precedentemente conservato ad una temperatura adeguata e che il contenuto sia deteriorato.
- **La durata della conservazione dei cibi congelati** dipende dalla temperatura dell'ambiente, dall'impostazione del termostato, da quanto spesso la porta viene aperta, dal tipo di cibo e dal tempo richiesto per il trasporto del prodotto dal negozio a casa. Seguire sempre le istruzioni stampate sull'involucro e non superare mai la durata massima di conservazione indicata.

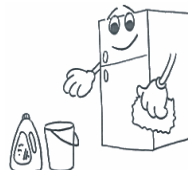
PARTE 4. PULIZIA E MANUTENZIONE

- Scollegare l'apparecchio dall'alimentazione prima di effettuare la pulizia.



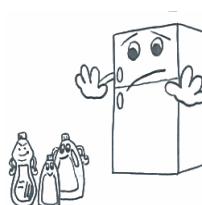
- Non pulire l'elettrodomestico versando acqua.

- I reparti frigorifero e freezer devono essere puliti periodicamente usando una soluzione di bicarbonato di soda e acqua tiepida.



- Pulire separatamente gli accessori con acqua e sapone. Non lavarli nella lavapiatti.

- Non utilizzare prodotti abrasivi, detersivi o saponi. Dopo il lavaggio, risciacquare con acqua pulita ed asciugare accuratamente. Una volta completate le operazioni di pulizia ricollegare la spina con le mani asciutte.



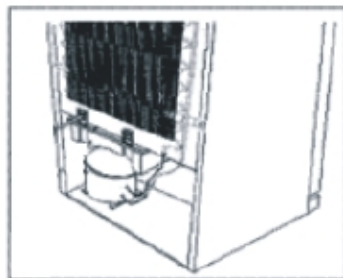
- Il condensatore deve essere pulito con una scopa almeno una volta all'anno per ottenere un risparmio di energia ed aumentare la produttività.



L'ALIMENTAZIONE ELETTRICA DEVE ESSERE STACCAT.

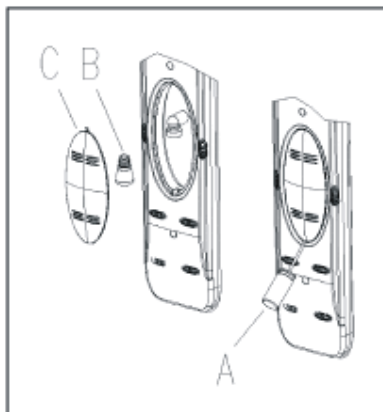
Sbrinamento

- Lo sbrinamento si verifica in modo completamente automatico durante il funzionamento; l'acqua di sbrinamento viene raccolta nel vassoio di evaporazione ed evapora automaticamente.
- Il vassoio di evaporazione dovrebbe essere pulito periodicamente per impedire che l'acqua si raccolga sul fondo del frigorifero anziché defluire.



Sostituzione della lampadina

1. Staccare la spina dall'alimentazione elettrica,
2. Svitare il coperchio di protezione della luce del frigorifero con un piccolo cacciavite ed asportarlo.(A)
3. Sostituire la lampadina con una nuova di non più di 15 W.(B)
4. Riposizionare il coperchio di protezione della luce e, dopo aver atteso 5 minuti, reinserire la spina.(C)



PARTE 5. TRASPORTO E SPOSTAMENTO DELL'ELETTRODOMESTICO

Trasporto e spostamento dell'elettrodomestico

- Gli imballaggi originali ed il polistirolo espanso (PS) possono essere conservati se necessario
- Durante il trasporto l'elettrodomestico deve essere legato con un nastro largo o una fune robusta. Seguire le istruzioni stampate sulla scatola di cartone.
- Prima di effettuare il trasporto o lo spostamento dell'elettrodomestico, tutti gli oggetti asportabili (ad es. ripiani, cassetto,...) devono essere tolti o fissati con nastro adesivo per evitare gli urti.



Inversione della direzione di apertura della porta *(In alcuni modelli)*

Se si desidera invertire la direzione di apertura della porta, contattare il servizio di assistenza locale.

PARTE 6. PRIMA DI CHIAMARE IL SERVIZIO ASSISTENZA

Se il frigorifero non funziona correttamente, potrebbe trattarsi di un problema minore, effettuare quindi i seguenti controlli prima di chiamare un elettricista risparmiando tempo e denaro.

Che cosa fare se il frigorifero non funziona;

Controllare che:

- Non manchi la corrente,
- Non sia scollegato l'interruttore generale dell'abitazione,
- L'impostazione del termostato non sia sullo « 1 / OFF »,
- La presa non sia inadatta. Per effettuare questo controllo, inserire la spina di un altro elettrodomestico funzionante nella stessa presa.

Che cosa fare se il frigorifero funziona in modo inadeguato;

Controllare che:

- L'elettrodomestico non sia sovraccarico,
- Le porte siano perfettamente chiuse,
- Non ci sia polvere sul condensatore,
- Ci sia sufficiente spazio sul retro e sui lati.

Se l'apparecchio è rumoroso;

Il gas refrigerante che circola nel circuito del frigorifero può produrre un leggero rumore (gorgoglio) anche quando il compressore non è in funzione. Non è il caso di preoccuparsi perché è normale. Se il rumore è di tipo diverso controllare che:

- L'elettrodomestico sia in piano
- Non vi sia qualcosa appoggiato sul retro
- Gli oggetti appoggiati sull'elettrodomestico non vibrino

Se il frigo non raffredda abbastanza:

Il frigo è progettato per funzionare con intervalli a temperatura ambiente stabiliti negli standard in base alla classe climatica indicata nell'etichetta informativa. Si sconsiglia in funzionamento con temperature esterne ai limiti stabiliti in termini di efficacia di raffreddamento.

Classe	Temperatura ambiente (°C)
T	Tra 16 e 43 (°C)
ST	Tra 16 e 38 (°C)
N	Tra 16 e 32 (°C)
SN	Tra 10 e 32 (°C)

Dichiarazioni di conformità

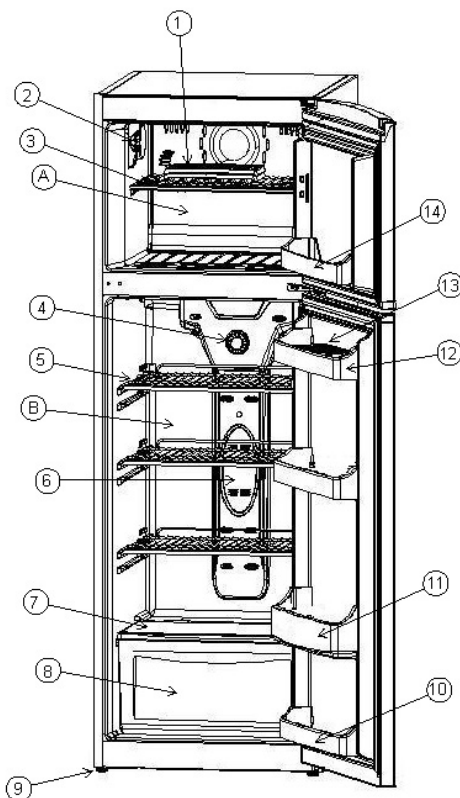
- La classe Tropical è progettata per temperature comprese tra 16°C e 43°C in conformità alla norma TS EN ISO 15502.
- L'apparecchio è stato concepito in conformità con le norme EN15502, IEC60335-1/IEC60335-2-24, 2004/108/EC.

Avvertenze

- Se l'elettrodomestico non viene utilizzato per un lungo periodo di tempo (ad esempio durante le vacanze estive) staccare la spina e pulire il frigorifero lasciando la porta aperta per impedire formazioni di muffa ed odori.
- Per arrestare completamente l'elettrodomestico, staccare la spina dalla presa centrale (per la pulizia e quando le porte sono lasciate aperte).

PARTE 7.

LE PARTI DELL'ELETTRODOMESTICO E GLI SCOMPARTI



A) SCOMPARTO CONGELATORE

B) SCOMPARTO FRIGO

1) CONTENITORE DEL GHIACCIO

2) SCATOLA DEL TERMOSTATO DEL FREEZER

3) RIPIANO DEL CONGELATORE

4) MANOPOLA DEL TERMOSTATO DEL FRIGO

5) RIPIANI DEL FRIGO

6) COPRLAMPADNA DEL FRIGO

7) COPERTURA SCOMPARTO FRUTTA E VERDURA

8) SCOMPARTO FRUTTA E VERDURA

9) PIEDINO REGOLATORE

10) RIPIANO INFERIORE

11) RIPIANO PER LE BOTTIGLIE

12) RIPIANO SUPERIORE

13) CONTENITORE UOVA

14) RIPIANO DELLO SPORTELLLO DEL CONGELATORE

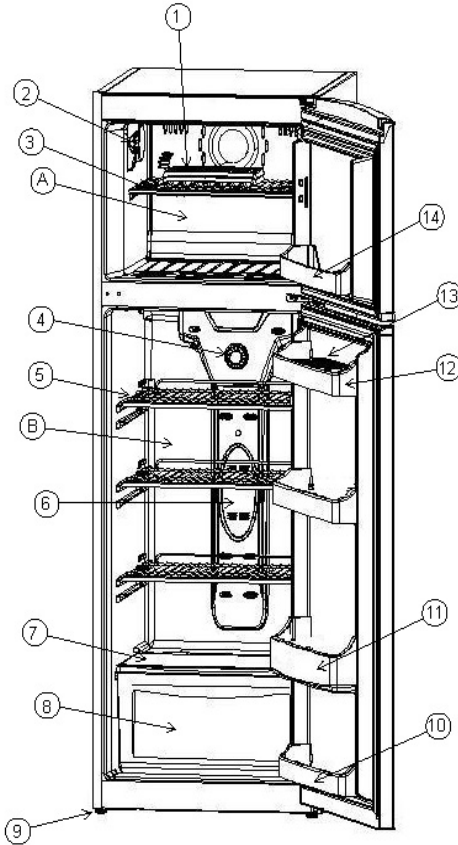
Questa presentazione è puramente informativa sui componenti dell'apparecchio. I componenti potrebbero variare secondo il modello dell'apparecchio.

معلومات المطابقة

- تم تحديد الفئة الاستوائية لدرجة حرارة المحيط بين 16 مئوية و43 مئوية وفق معايير TS EN ISO 15502.
- تم تصميم الجهاز بامتثال مع معايير E N1 55 02 , IE C6 03 35 -1 / IEC60335-2-24, 2004/108/EC.
- يمثل الجهاز مع نظام "EEE".

الجزء السابع.

أجزاء الجهاز والأقسام



(A) قسم المُجمّد

(B) قسم المُبرّدة

(1) علبة الثلج

(2) صندوق ثيرموستات المُجمّد

(3) رف المُجمّد

(4) مقفاح ثيرموستات المُبرّدة

(5) أرفف المُبرّدة

(6) غطاء/صندوق مصباح المُبرّدة

(7) غطاء الدرج

(8) الدرج

(9) القدم الثابتة

(10) الرف السفلي

(11) رف العوات

(12) الرف العلوي

(13) حقل البيض

(14) رف باب المُجمّد

هذا العرض خاص فقط بمعلومات حول أجزاء الجهاز .
وقد تختلف الأجزاء وفقا لموديل الجهاز .

إذا كانت المُبرِّدة لا تعمل بشكل سليم، فقد تكون هناك مشكلة صغيرة، ولهذا تحقق مما يلي قبل الاتصال بمتخصص كهربائي لتوفير الوقت والمال.

ماذا تفعل في حالة عدم عمل المُبرِّدة؛ تحقق مما يلي؛

- عدم وجود طاقة،
- عدم توصيل مفتاح الطاقة العمومي في المنزل،
- إعداد النثر موسسات على الموضع « 1/OFF »،
- المقبس لا يعمل. للتحقق من هذا، قم بتوصيل جهاز آخر لمعرفة ما إذا كان يعمل على نفس المقبس.

ماذا تفعل في حالة أداء المُبرِّدة بشكل ضعيف؛ تحقق مما يلي؛

- عدم تحميل الجهاز بشكل زائد،
 - عدم غلق الباب بشكل جيد،
 - عدم وجود أتربة على المكثف،
 - وجود مساحة كافية خلف الجهاز وعلى الجانبين.
- في حالة وجود صوتٍ عالي (ضوضاء)؛
- قد يحدث الغاز المُبرِّدة الذي يدور في دائرة المُبرِّدة ضوضاء خفيفة (صوت ببقية) حتى في حالة عدم تشغيل الضاغطة (الكومبريسور). لا تقلق، فهذا عادي جدًا. إذا كانت هذه الأصوات مختلفة، فتتحقق مما يلي:
- استواء الجهاز جيدًا،
 - عدم ملامسة شيء للظهر.
 - اهتزاز الأجزاء الموجودة على الجهاز.

التوصيات

- في حالة عدم استخدام الجهاز لمدة طويلة (على سبيل المثال أثناء أجازات الصيف) افصل المُبرِّدة ونظفها مع ترك الباب مفتوحًا لمنع تكوين العفن والروائح.
- لإيقاف الجهاز بشكل كامل، افصل المقبس الرئيسي (للتنظيف وعند ترك الباب مفتوحًا).

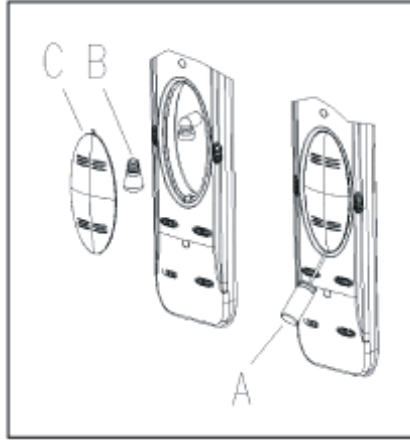
إذا كانت الثلاجة لا تقوم بالتبريد بشكل كافٍ؛

- تم تصميم الثلاجة بطريقة تيم تشغيلها فيها بنطاقات درجة حرارة بيئية محددة في المعايير وفقا لفئات المناخ المذكورة في بطاقة المعلومات. لا يُنصح بتشغيل الثلاجة في بيئات ذات درجات حرارة لا تتوافق مع تلك الواردة في المعايير للحصول لكفاءة التبريد.

درجة الحرارة المحيطة (درجة مئوية)	الفئة المناخية
بين 16 إلى 43	T
بين 16 إلى 38	ST
بين 16 إلى 32	N
بين 10 إلى 32	SN

استبدال مصباح الإضاءة

1. افصل الوحدة من مأخذ الطاقة.
2. انزع غطاء مصباح المُبرّدة باستخدام مفك (سالب) ثم أخرج الغطاء (A).
3. استبدل المصباح الموجود بمصباح جديد ليس أكثر من 15 واط (B).
4. ركب غطاء المصباح (C) وانتظر 5 دقائق ثم قم بتوصيل القابس.



النقل وتغيير مكان التركيب

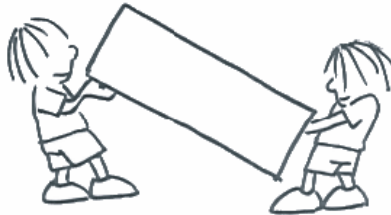
الجزء
الخامس.

تغيير اتجاه فتح الباب (في بعض الموديلات)

في حالة الحاجة لتغيير اتجاه فتح الباب، الرجاء مراجعة خدمة ما بعد البيع المحلية.

النقل وتغيير مكان التركيب

- يمكن إزالة العبوة الأصلية واليوم البوليسترين إذا لزم.
- يجب ربط الجهاز أثناء النقل بشريط عريض أو حبل قوي. يجب إتباع القواعد الموجودة على الصندوق المموج أثناء النقل.
- قبل النقل وتغيير مكان التغيير القديم، يجب إخراج جميع المكونات المنفصلة (أي الأرفف والدرج...) أو تثبيتها بشريط لمنع اهتزازها.

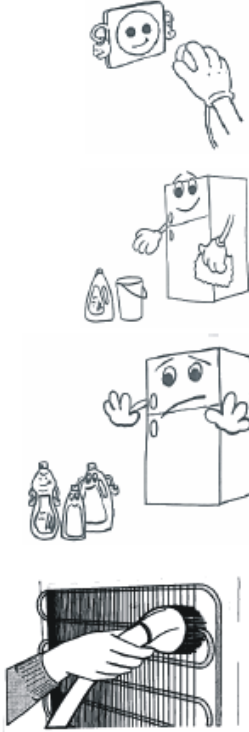


* افصل الوحدة عن مأخذ الطاقة قبل التنظيف.

* لا تنظف الجهاز بسكب الماء.

يجب تنظيف قسمة المُبرِّدة والمُجمِّد بشكل دوري باستخدام محلول بيكر بونات الصوديوم والماء الفاتر.

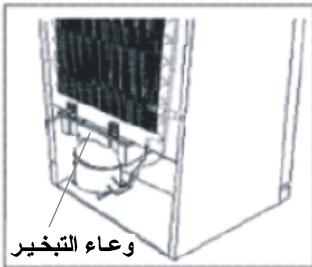
نظف الملحقات بشكل منفصل باستخدام الماء والصابون. ولا تنظفها في الغسالة.



لا تستخدم المنتجات الكاشطة والمنظفات أو الصابون بعد الغسيل، اشطفها بالماء النقي وجففها جيداً. عند اكتمال عملية التنظيف، أعد توصيل القابس على أن تكون الأيدي جافة.

إزالة التجمد

* ان ثلاجتك تقوم بالتدوير الاوتوماتيكي التام . ان الماء المتكون بنتيجة التدوير يمر من مجرى تجميع الماء ويصب في وعاء التبخير الموجود خلف الثلاجة ثم يتبخر هناك تلقائياً.



قسم المُبرِّدة (التلاجة)

- لتقليل الرطوبة وزيادة اللاحقة للتجمد، لا تضع سوائل في حاويات غير مقلولة في المُبرِّدة.
- لا تضع أطعمة ساخنة في المُبرِّدة مطلقاً. يجب أن تترك الأطعمة الساخنة حتى تبرد في درجة حرارة الغرفة وترتب لضمان دوران الهواء في قسم المُبرِّدة.
- يجب عدم ملامسة الأشياء لصندوق مصباح المُبرِّدة وغطائه لتجنب حدوث تجمد وانتشار للأغراض في الجانب الخلفي. لا تفتح باب المُبرِّدة بشكل متكرر كثيراً.
- رتب اللحوم والأسماك النظيفة (ملفوفة في حزم أو ورق بلاستيك) التي تستخدمها في غضون يوم إلى يومين.
- يمكنك وضع الفاكهة والخضروات في الدرج دون تعبئة.

قسم المُجمِّد (الفريزر)

- يستخدم المُجمِّد في تخزين الأطعمة المُجمَّدة أو المُجمَّدة جداً لمدد طويلة وصنع مكعبات الثلج.
- لا تضع الأطعمة الطازجة والساخنة على أرفف المُجمِّد لتجميدها. يستخدم فقط في تخزين الأطعمة المُجمَّدة.
- لا تضع الأطعمة الطازجة والساخنة مع الأطعمة المُجمَّدة حتى لا تتسبب في إذابتها.
- أثناء تجميد الأطعمة الطازجة، (أي اللحوم والأسماك واللحوم المفرومة)، قسمها إلى كميات مجزأة تستخدمها في المرة الواحدة.
- لتخزين الأطعمة المُجمَّدة؛ يجب إتباع الإرشادات الموضحة على عبوات الأطعمة المُجمَّدة بعناية، وفي حالة عدم وجود معلومات، لا يجب تخزينها لأكثر من 3 شهور من تاريخ الشراء.
- عند شراء أطعمة مُجمَّدة تأكد من أنه تم تجميدها بشكل صحيح في درجة حرارة مناسبة ومن سلامة العبوة.
- يجب نقل الأطعمة المُجمَّدة في حاويات مناسبة للحفاظ على جودة الأطعمة ويجب إعادتها إلى وحدة التجميد بأقصر وقت ممكن.
- إذا ظهر على عبوة أطعمة مُجمَّدة رطوبة أو تعفن غير عادي، فقد تكون تم تخزينها في درجة حرارة غير مناسبة وفسدت محتوياتها.
- تتوقف فترة التخزين للأطعمة المُجمَّدة على درجة حرارة الغرفة وإعدادات الثيرموستات وعدد مرات فتح الباب ونوع الأطعمة وطول المدة المطلوبة لنقل المنتج من المتجر إلى المنزل. اتبع دائماً الإرشادات المطبوعة على العبوة ولا تتجاوز الحد الأقصى لفترة التخزين المذكور مطلقاً.

• عند وضع أطعمة في المُجمِّد، من المستحسن وضع الأطعمة بعيداً عن صندوق الثيرموستات بقدر الإمكان في المُجمِّد والأطعمة المُجمَّدة الأخرى.

- **لاظن؛** درجة الحرارة المحيطة ودرجة حرارة الأطعمة الجديدة التي يتم تخزينها وعدد مرات فتح الباب تؤثران على درجة الحرارة في قسمي المبردة والمجمد. إذا لزم الأمر، فقم بتغيير إعدادات درجة الحرارة.
- لمنع التخمر وتجمع البكتريا داخل جزء المبردة، يوصى بعدم ضبط ثيرموستات المبردة إلى الوضع OFF حتى في حالة عدم تخزين أطعمة بداخله.
- عند تشغيل الجهاز للمرة الأولى، يجب أن يعمل الجهاز لمدة 24 ساعة بشكل متواصل حتى يصل لدرجة الحرارة الكافية للحصول على عملية تجميد مناسبة.
- وفي هذه الفترة، لا تفتح الباب كثيراً ولا تضع الكثير من الأطعمة داخل الجهاز.
- إذا تم إيقاف تشغيل الوحدة أو إلغاء توصيلها، فيجب الانتظار 5 دقائق على الأقل قبل إعادة تشغيلها أو إعادة توصيلها لتجنب عدم تلف الصاعطة (الكويميريسور).

الملحقات

علبة مكعبات الثلج

- قم بتعبئة العلبة بالماء وضعها في جزء المجمد.
- بعد تحول الماء إلى ثلج بشكل كامل، يمكن لوي العلبة كما هو موضح أدناه للحصول على مكعبات الثلج.



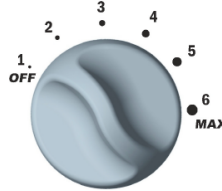
ثيرموستات المُجمّد



ثيرموستات المُبرّدة



تقوم ثيرموستات المُجمّد (الفریزر) والمُبرّدة (الثلاجة) بتكيف درجة الحرارة الداخلية للمكونات تلقائيًا. وتدوير مفتاح ثيرموستات المُجمّد من الموضع 1 إلى 4، ومفتاح ثيرموستات المُبرّدة من OFF إلى MAX يمكن الحصول على درجات حرارة أكثر برودة. وفي الفصول الباردة، يمكن الضبط على مواضع أقل لتخفيض استهلاك الطاقة.



• لاحظ أن درجة حرارة المُبرّدة والمُجمّد يتأثران ببعضهما البعض. على سبيل المثال، عند ضبط ثيرموستات المُبرّدة على الحد الأقصى، للحصول على درجة حرارة أقل في جزء المُبرّدة، اضبط ثيرموستات المُجمّد على قيمة أعلى.

التحكم في درجة حرارة المُبرّدة والمُجمّد؛

بناءً على درجات الحرارة المحيطة، يوصى باستخدام إعدادات الثيرموستات التالية للحصول على درجات الحرارة المثلى في قسمي المُبرّدة والمُجمّد:

الصيف	الربيع/الخريف	الشتاء	المناخ
25 << 43 درجة مئوية	16 << 25 درجة مئوية	10 << 16 درجة مئوية	درجة الحرارة المحيطة
اضبط على الموضع المناسب بين 3 و6.	اضبط على الموضع المناسب بين 2 و3.	اضبط على الموضع المناسب بين 1 و2.	ثيرموستات المبرّد
سيكون الموضعين 2.5 و 3 كافيين طبقاً لطراز المُبرّدة.	سيكون الموضعين 2.5 و 3 كافيين طبقاً لطراز المُبرّدة.	سيكون الموضعين 2.5 و 3 كافيين طبقاً لطراز المُبرّدة.	ثيرموستات المُجمّد
مع درجات الحرارة المحيطة الأعلى من 38 درجة مئوية، إذا لم يكن قسم المُبرّد بارداً بالدرجة الكافية، فيمكنك ضبط ثيرموستات المُجمّد إلى موضع أعلى.		إذا كانت المُبرّدة في مكان شديد البرودة في درجة حرارة 10 درجة مئوية، وتعتقد في برودة قسم المبرّد مع ضبط ثيرموستات المُبرّد إلى الحد الأدنى، فيمكنك ضبط ثيرموستات المُجمّد إلى موضع أقل.	
		قيم الموضع الافتراضية للمُبرّدة هي 2.5-3 لثيرموستات قسم المُجمّد، و 3 لثيرموستات قسم المُبرّد.	
		ننصح بعدم تغيير مواضع ثيرموستات المُجمّد إلا في الظروف المذكورة أعلاه. يمكن ضبط ثيرموستات المُبرّد طبقاً لدرجة الحرارة المحيطة كما هو مذكور أعلاه.	ملاحظات
		يوصى بالقيم المذكورة في الجدول لمواضع الثيرموستات. ويمكن تغيير تلك القيم طبقاً لظروف الاستخدام.	

تركيب الجهاز وبدء تشغيله

• يعمل هذا الجهاز على تيار 220-240 و 50 هيرتز.

• يمكنك طلب تركيب الجهاز وتشغيله من الخدمة مجاناً.

• قبل توصيل الطاقة، تأكد من توافق الفولطية في لوحة الاسم الموجودة على المُبرِّدة مع فولطية نظام الكهرباء في المنزل لديك.

• إذا كان المقبس (الفيشة) غير متوافق مع قابس المُبرِّدة، فاستبدله بقابس مناسب، (على الأقل 10 أمبير).

• ركب القابس بمقبس به اتصال طرف أرضي فعال. إذا كان المقبس لا يوجد به اتصال طرف أرضي، فننصح طلب متخصص بالكهرباء للمساعدة.

• الشركة غير مسؤولة عن عدم إكمال توصيل الطرق الأرضي كما هو مذكور في هذا الكتيب.

• لا تعرض الجهاز لأشعة الشمس المباشرة.

• لا تستخدم الجهاز في الهواء الطلق ولا تعرضه للمطر.

• ضع المُبرِّدة بعيداً عن مصادر الحرارة وفي مكان جيد التهوية يجب أن تكون المُبرِّدة على بعد 50 سم على الأقل من السخانات أو المواقد بأنواعها و5 سم من المواقد الكهربائية.

• يجب أن تكون المساحة الخالية أعلى المُبرِّدة 15 سم على الأقل.

• لا تضع أغراض ثقيلة وكثيرة على الجهاز.

• يجب ترك مسافة 2 سم على الأقل في حالة وضع الجهاز بجوار مُبرِّدة أو مُجمِّد آخر لمنع التكدف.

• يجب أن يكون الجهاز قائماً على أرضية ثابتة ومستوية. يمكنك استخدام قديم ضبط المستوى الأماميين لتعويض عدم استواء الأرضية.

• يجب ترك المساحة أسفل الجهاز خالية للتهوية أسفله. لا تغلقه بسجادة، إلخ.

• يجب تنظيف السطح الخارجي للجهاز وملحقاته الداخلية بالماء والصابون السائل، والجزء الداخلي باستخدام بيكربونات الصوديوم مذابة في الماء الفاتر. بعد الجفاف، ضع جميع الملحقات.

قبل بدء التشغيل

• انتظر 3 ساعات قبل توصيل الجهاز بأخذ الطاقة لضمان الأداء السليم.

• قد تكون هناك رائحة عند تشغيل الجهاز للمرة الأولى. وتنتلشى هذه الرائحة بمجرد بدء الجهاز في التبريد.



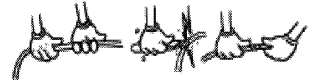
إرشادات الأمان

- * إذا كان الطراز يتضمن الغاز الطبيعي R600a (مبرد الأيزوبوتين)- راجع لوحة الاسم داخل المُبرِّدة (الثلاجة)، وهو غاز صديق للبيئة جدًا لكنه قابل للاشتعال أيضًا، فيجب توخي الحرص عند النقل وتركيب الوحدة لضمان عدم تلف مكونات دائرة التبريد. في حالة حدوث تلف، تجنب اللهب ومصادر الإشعاع وقم بتهوية الغرفة التي بها الوحدة بلضعة دقائق.
- * في حالة إحلال هذا الجهاز بمُبرِّدة قديمة بها قفل، فقم بكسر القفل أو نزعها كإجراء أمان قبل تخزينها لحماية الأطفال من حبس أنفسهم بداخلها أثناء اللعب.
- * تحتوي المُبرِّدات والمُجمِّدات على غازات عازلة ومُبرِّدات يجب التخلص منها بشكل صحيح. الرجاء التأكد من عدم تلف أنبوب التبريد.

ملاحظة هامة:

الرجاء قراءة هذا الكتيب قبل تركيب الجهاز وتشغيله. ولا تتحمل الشركة المصنعة أي مسؤولية عن أي تركيب أو استخدام يخالف ما هو مذكور في هذا الكتيب.

التوصيات



- لا تستخدم محولات أو مجزئات تيار كهربائي والتي قد تتسبب في ارتفاع درجة الحرارة.
- لا تستخدم كبلات طاقة ملتوية أو قديمة.
- لا تلوي الكبلات أو تشبهها.



- لا تسمح للأطفال باللعب بالجهاز. ممنوع منعًا باتًا جلوس الأطفال على الأدرج/الأرفف أو التعلق بالباب.



- لا تقم بتوصيل الطاقة والأيدي مبللة.
- لا تضع حاويات سوائل (عبوات زجاجية أو حاويات صفيح) في المُجمِّد (الفریزر)، خاصة السوائل الغازية لأنها قد تنفجر أثناء التجميد.



- يجب قفل العبوات التي تحتوي على نسب مرتفعة من الكحول ووضعها في وضع رأسي في المُبرِّدة (الثلاجة).
- لا تلمس الأسطح المُبرِّدة، خاصة والأيدي مبللة لتجنب الاحتراق أو الإصابة بجروح.
- لا تأكل الثلج الذي تم إخراجها للثو من المُجمِّد (الفریزر).

تحذير: لا تستخدم أدوات ميكانيكية أو أية وسائل صناعية لتسريع عملية إذابة الثلج.

تحذير: لا تستخدم الأجهزة الكهربائية في درج تخزين الطعام في الثلاجة

تحذير: حافظ فتحات التهوية مفتوحة

تحذير: لا تتلف دائرة تبريد الثلاجة.

إن هذا المنتج غير مخصص للاستخدام من قبل الأفراد ذوي القدرات المحدودة أو من ذوي الاحتياجات الخاصة (بما في ذلك الأطفال) أو الأفراد الذين تعوزهم الخبرة والمعرفة ما لم يكن هناك إشراف مباشر عليهم أو لديهم تعليمات تتعلق باستخدام الجهاز بواسطة شخص مسنون عن سلامتهم. يجب الإشراف على الأطفال للتأكد من أنهم لا يعبتون بالجهاز إذا تلف سلك التمديد فيجب استبداله بواسطة المصنع أو وكيل الخدمة أو الشخص المكلف بذلك

1	الجزء الأول: قبل استخدام الجهاز
1	• إرشادات الأمان
1	• التوصيات
2	• تركيب الجهاز وبدء تشغيله
2	• قبل بدء التشغيل
	الجزء الثاني: الوظائف المختلفة والاحتمالات
3	• إعداد التيرموستات
4	• الملحقات
	الجزء الثالث: ترتيب الأطعمة في الجهاز
5	• قسم المُبرِّدة (الثلاجة)
5	• قسم المُجمِّد (الفریزر)
	الجزء الرابع: التنظيف والصيانة
6	• إزالة التجمد
6	• استبدال مصباح الإضاءة
7	
	الجزء الخامس: النقل وتغيير مكان التركيب
7	• تغيير اتجاه فتح الباب
7	• النقل وتغيير مكان التركيب
	الجزء السادس: قبل الاتصال بخدمات ما بعد البيع
8	
	الجزء السابع: أجزاء الجهاز والأقسام
9	



الرجاء الاستفسار من البلدية عن كيفية التخلص من الجهاز من أجل إعادة الاستخدام والتدوير.

UNIVERSAL

ثلاجة ميكانيكية ضد التجمد
كتيب التعليمات